

APPLICATION INFORMATION

2.4 GHz power amplifier with the BFG425W and the BFG21W

2.4 GHz power amplifier with the BFG425W and the BFG21W

ABSTRACT

- Description of the product

The BFG425W is a double polysilicon wideband transistor and the BFG21W is a double polysilicon bipolar power transistor.

- Application area

Low voltage high frequency wireless applications.

- Presented application

A 2-stage power amplifier for a 2.4 GHz WLAN with bias circuitry for load power adjustment and on/off switching.

- Main results

Operating at a single supply voltage of 3.0 V and an input power of 0 dBm, the amplifier delivers an output power of 22 dBm with a power added efficiency of 44%.

© PHILIPS ELECTRONICS N.V. 1999

All rights are reserved. Reproduction in whole or in part is prohibited without the prior written consent of the copyright owner.

The information presented in this document does not form part of any quotation or contract, is believed to be accurate and reliable and may be changed without notice. No liability will be accepted by the publisher for any consequence of its use. Publication thereof does not convey nor imply any license under patent- or other industrial or intellectual property rights.

2.4 GHz power amplifier with the BFG425W and the BFG21W

INTRODUCTION

The Philips transistors BFG425W and BFG21W used in this amplifier, are manufactured according to the double polysilicon process and are characterised by a transition frequency greater than 20 GHz at low supply voltages. The amplifier is well suited for the new generation low voltage high frequency applications. This application note describes a two-stage power amplifier, designed to be used in 2.4 GHz WLAN systems.

With only two transistors a small sized power amplifier line-up is realized, offering 22 dBm of output power with 44% power added efficiency at 0 dBm input power and a single 3 V supply voltage. Biasing is done by a circuit around an NPN transistor pair, which also performs load power adjustment and the possibility for on/off switching. Thanks to the low component count and simple matching networks, the entire power amplifier (including bias part) only measures 10 × 20 mm.

PERFORMANCE OVERVIEW

The following initial conditions apply for the power amplifier measurements (unless otherwise stated):

- Supply voltage 3.0 V
- Control voltage 3.0 V
- Frequency 2.45 GHz
- Source and load impedance 50 Ω
- Input power 0 dBm.

Table 1 Characteristics of the 2.4 GHz WLAN power amplifier

SYMBOL	PARAMETER	CONDITION	VALUE	UNIT
P_o	output power		22.4	dBm
G_P	power gain		22.4	dB
I_{supply}	supply current		136	mA
η_{PA}	power added efficiency		44	%
$VSWR_{IN}$	input voltage standing wave ratio		2	
$ S_{21}/S_{12} ^2$	isolation	relative to input power; $V_{ctrl} < 0.6 V$	40	dB
Spurious		$VSWR = 6$; all phases	-55	dBc
I_L	leakage current	off-state; $V_{ctrl} < 0.6 V$	<10	μA
d_{2H}	2nd harmonic distortion		-42	dBc
d_{3H}	3rd harmonic distortion		-35	dBc

For other applications with this amplifier circuit, the following conditions apply

- Supply voltage from 3.0 to 5.0 V; for CW mode of operation, the supply voltage must be smaller than 4.0 V, for pulsed mode greater than 4.0 V.
- Control voltage greater than 2.2 V for the ON-state and smaller than 0.6 V for the OFF-state.
- Frequency range from 2.4 to 2.5 GHz.

2.4 GHz power amplifier with the BFG425W and the BFG21W

CIRCUIT DESCRIPTION

Figure 1 shows the circuit diagram of the WLAN power amplifier including both RF transistors, matching circuits and biasing circuit.

The RF chain of the power amplifier consists of two transistor stages: a BFG425W (TR1) wideband transistor and a BFG21W (TR2) power transistor, both operating in class AB. In accordance with this mode and the required output power of each stage, the measured source and load impedances of both transistors are given in Table 2.

The SOT343R packaged RF transistors have two emitters leads, which have to be carefully grounded to ensure stable operation and performance according to specification. The layout of this power amplifier offers an emitter-to-ground inductance of typically 130 pH.

The biasing part of the power amplifier is build around an NPN transistor pair, TR3a and TR3b. The circuit delivers a temperature compensated bias voltage for both RF stages. The circuit offers maximum gain when the control voltage is greater than 2.2 V. The bias voltage for the first stage is approximately 0.90 V and for the second stage approximately 0.65 V.

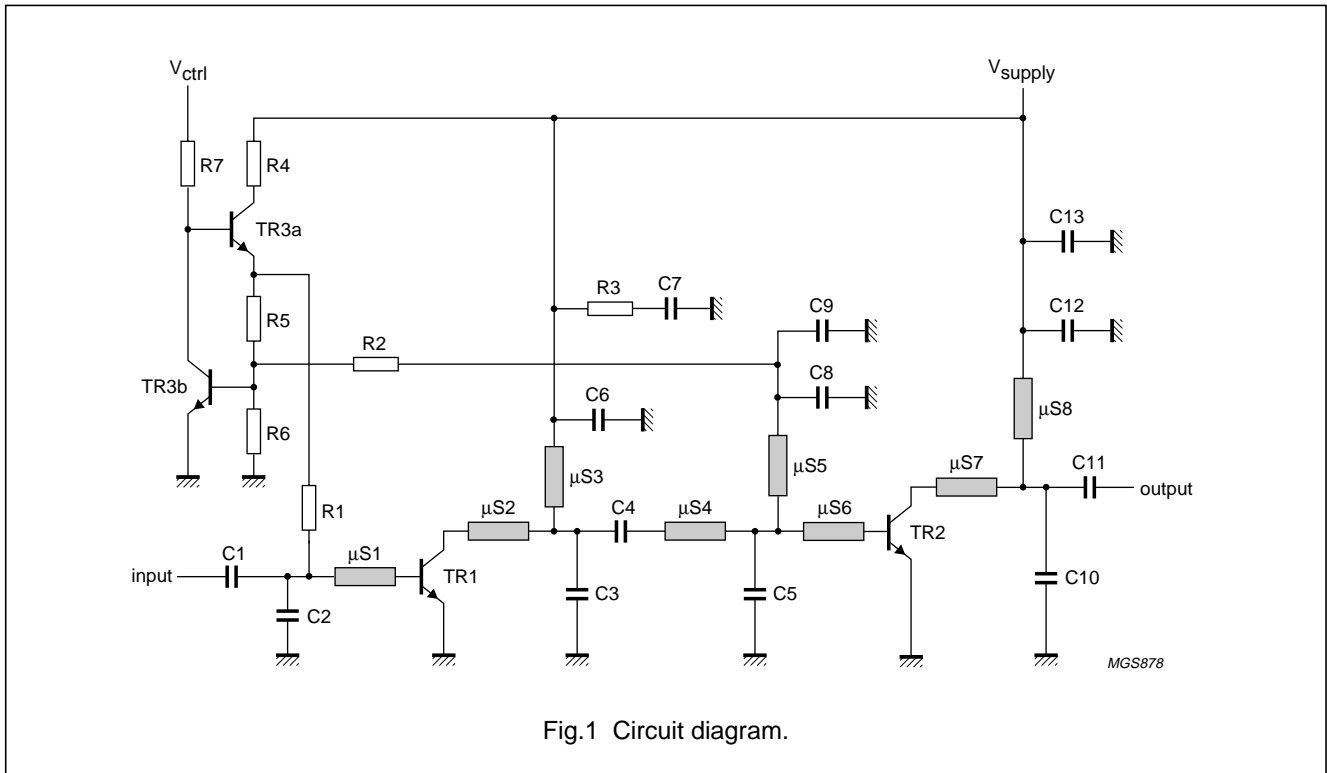


Fig.1 Circuit diagram.

Table 2 Source and load impedances of the applied RF transistors

TRANSISTOR	CONDITIONS	SOURCE IMPEDANCE (Z_S)	LOAD IMPEDANCE (Z_L)
BFG425W	$V_{CE} = 3.0 \text{ V}$; $V_{BE} = 0.9 \text{ V}$; $P_o = 15 \text{ dBm}$; $G_P = 14 \text{ dB}$; $f = 2.45 \text{ GHz}$	$20 + 27 \text{ j } \Omega$	$45 + 37 \text{ j } \Omega$
BFG21W	$V_{CE} = 3.0 \text{ V}$; $V_{BE} = 0.65 \text{ V}$; $P_o = 22.5 \text{ dBm}$; $G_P = 7.5 \text{ dB}$; $f = 2.45 \text{ GHz}$	$8 - 11 \text{ j } \Omega$	$11 - 11 \text{ j } \Omega$

2.4 GHz power amplifier with the BFG425W and the BFG21W

COMPONENT LIST

Table 3 Component list for the 2.4 GHz WLAN power amplifier circuit

COMPONENT	VALUE	UNIT	SIZE - MANUFACTURER
TR1	BFG425W		SOT343R Philips
TR2	BFG21W		SOT343R Philips
TR3	PUMX1		SOT363 Philips
R1	560	Ω	0603 Philips
R2	10	Ω	0603 Philips
R3	10	Ω	0603 Philips
R4	220	Ω	0603 Philips
R5	82	Ω	0603 Philips
R6	330	Ω	0603 Philips
R7	1	k Ω	0603 Philips
C1	2.2	pF	0603 Philips
C2	1.2	pF	0603 Philips
C3	0.47	pF	0603 Philips
C4	2.2	pF	0603 Philips
C5	1.8	pF	0603 Philips
C6	10	pF	0603 Philips
C7	10	nF	0603 Philips
C8	10	pF	0603 Philips
C9	1	nF	0603 Philips
C10	2.2	pF	0603 Philips
C11	6.8	pF	0603 Philips
C12	10	pF	0603 Philips
C13	1	nF	0603 Philips
μ S1	L = 6.5; W = 0.45	mm	
μ S2	L = 3.0; W = 0.15	mm	
μ S3	L = 7.5; W = 0.15	mm	
μ S4	L = 2.0; W = 1.15	mm	
μ S5	L = 7.5; W = 0.15	mm	
μ S6	L = 2.0; W = 1.15	mm	
μ S7	L = 5.0; W = 0.45	mm	
μ S8	L = 6.5; W = 0.15	mm	
PCB	FR4		$\epsilon_r = 4.6$; d = 0.71 mm

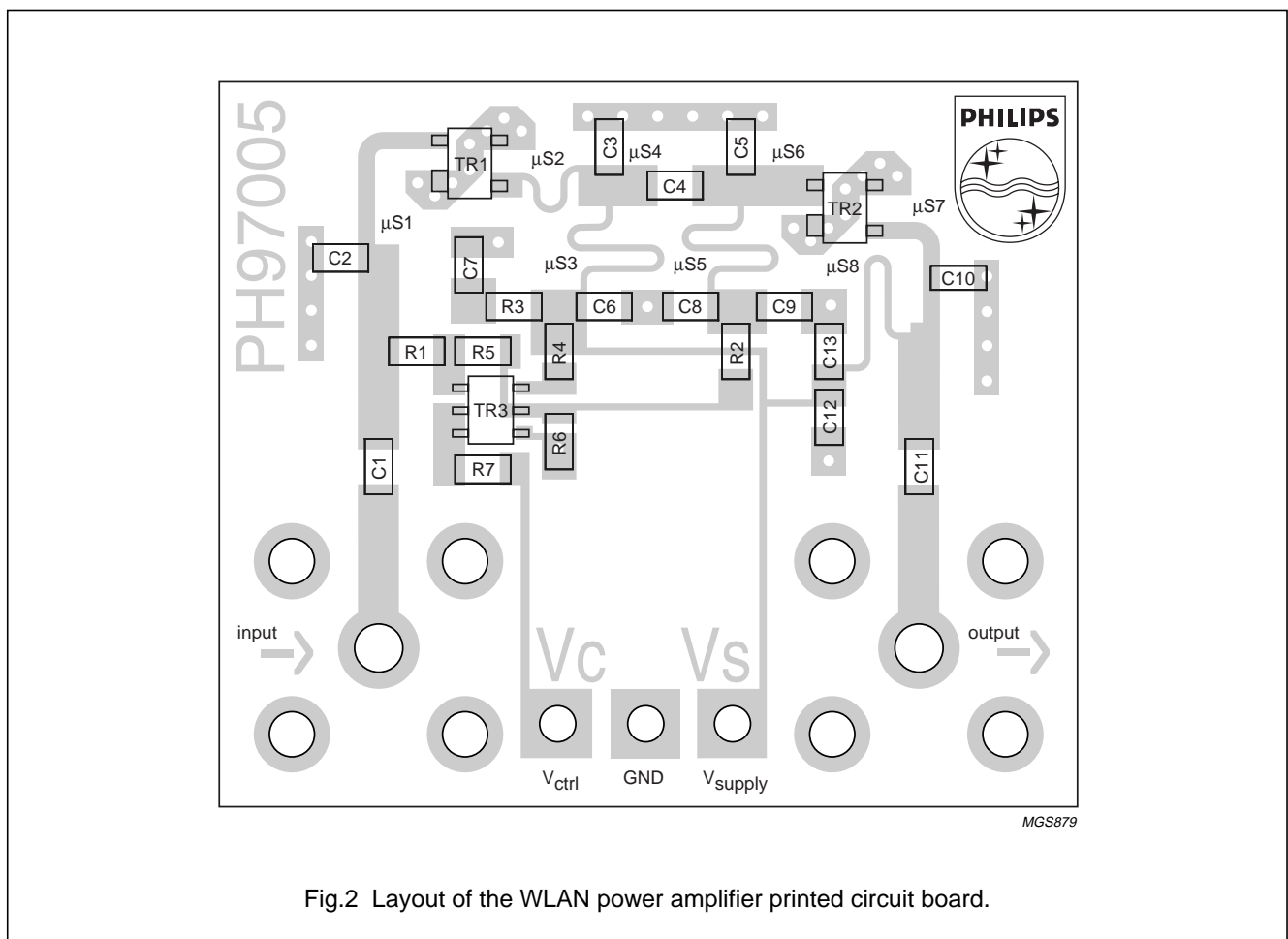
2.4 GHz power amplifier with the BFG425W and the BFG21W

BOARD LAYOUT

Figure 2 shows the layout of the power amplifier printed circuit board, which has the following properties:

- FR4 bilayer (backside ground)
- $d = 0.71 \text{ mm}$
- $t = 35 \mu\text{m}$ (Cu cladding, not coated)
- $\epsilon_r = 4.6$
- $\tan\delta = 0.02$.

The position of components C2, C3, C5 and C10 is critical.



2.4 GHz power amplifier with the BFG425W and the BFG21W

SPICE PARAMETERS

The spice parameters of the two applied transistors are given in Table 4 and Table 5.

Table 4 Spice parameters of the BFG425W

.SUBCKT BFG425W 1 2 3
L1 2 5 1.1E-09
L2 1 4 1.1E-09
L3 3 6 0.25E-09
Ccb 4 5 2.0E-15
Cbe 5 6 80.0E-15
Cce 4 6 80.0E-15
Cbpb 5 7 1.45E-13
Cbpc 4 8 1.45E-13
Rsb1 6 7 25
Rsb2 6 8 19
Q1 4 5 6 6 NPN
.MODEL NPN NPN
+ IS = 4.717E-17
+ BF = 145
+ NF = 0.9934
+ VAF = 31.12
+ IKF = 0.304
+ ISE = 3.002E-13
+ NE = 3
+ BR = 11.37
+ NR = 0.985
+ VAR = 1.874
+ IKR = 0.121
+ ISC = 4.848E-16
+ NC = 1.546
+ RB = 14.41
+ IRB = 0
+ RBM = 6.175
+ RE = 0.1779
+ RC = 1.780
+ CJE = 3.109E-13
+ VJE = 0.9
+ MJE = 0.3456
+ CJC = 1.377E-13
+ VJC = 0.5569
+ MJC = 0.2079
+ CJS = 6.675E-13
+ VJS = 0.4183

+ MJS = 0.2391
+ XCJC = 0.5
+ TR = 0.0
+ TF = 4.122E-12
+ XTF = 68.2
+ VTF = 2.004
+ ITF = 1.525
+ PTF = 0
+ FC = 0.5501
+ EG = 1.11
+ XTI = 3
+ XTB = 1.5
.ENDS

2.4 GHz power amplifier with the BFG425W and the BFG21W

Table 5 Spice parameters of the BFG21W

.SUBCKT BFG21W 10 11 12
Lbbond 2 5 7.209E-10
Lblead 5 8 2.251E-10
Lbfoot 8 11 1.1E-10
Cbfoot 8 12 1.17E-13
Lebond 3 6 5.15E-11
Lelead 6 9 6.914E-11
Lefoot 9 12 1.739E-10
Cefoot 9 12 1.95E-13
Lcbond 1 4 5.711E-10
Lclead 4 7 2.251E-10
Lcfoot 7 10 1.1E-10
Ccfoot 7 12 1.17E-13
Cbc 5 4 2E-15
Cbe 5 6 8E-14
Cce 4 6 8E-14
Cbpb 2 14 3.3E-13
Cbpc 1 13 3.47E-13
Cmet 1 3 1.7E-12
Rsub1 14 15 249.2
Rsub2 13 15 464.4
Rmut 3 15 100
Dio 16 1
+ D1
Rs 15 16 3.5
.MODEL D1 D
+ IS = 4.99E-13
+ N = 1.189
Q1 1 2 3 3 NPN
+ AREA = 1
.MODEL NPN NPN
+ IS = 3.835E-16
+ BF = 92
+ NF = 1
+ VAF = 35
+ IKF = 2.8
+ ISE = 9.005E-13
+ NE = 2.262
+ BR = 8.9
+ NR = 1.009
+ VAR = 2.25
+ IKR = 0.6507

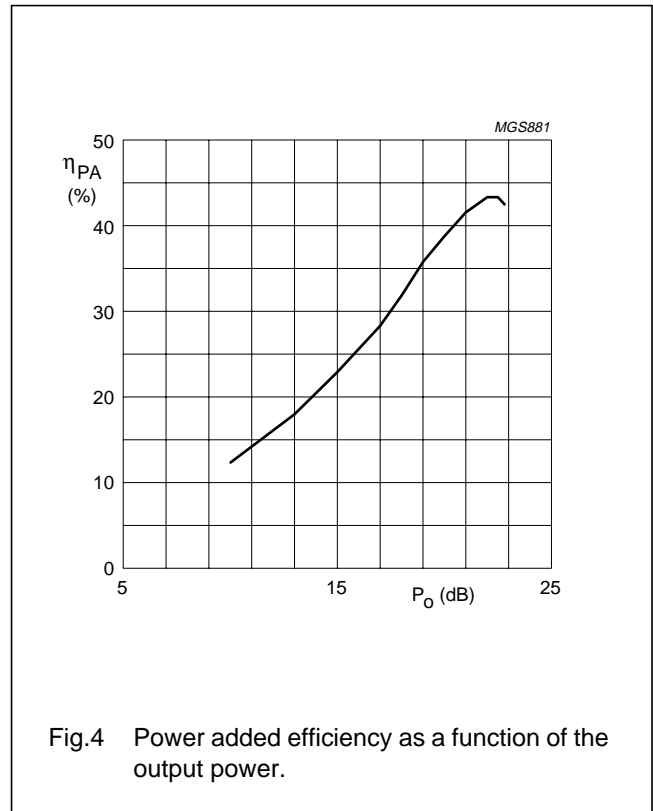
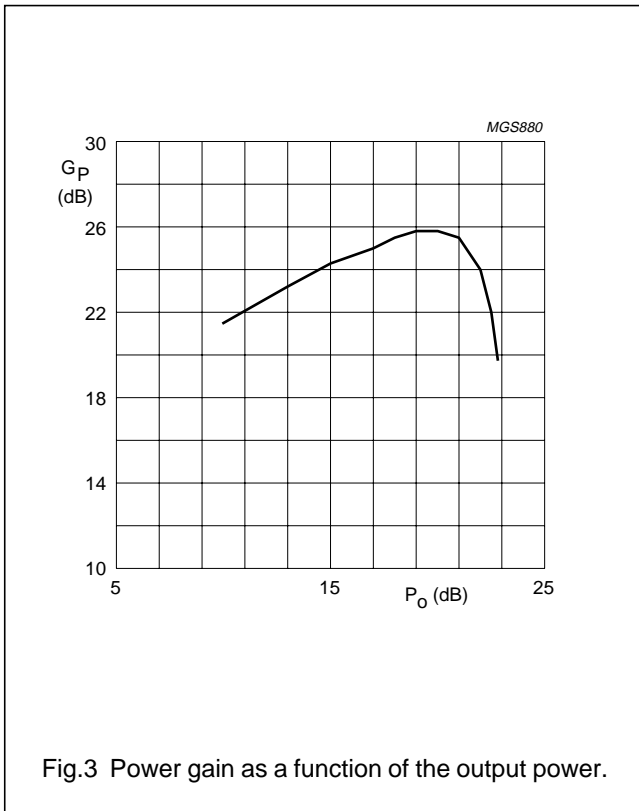
+ ISC = 2.503E-15
+ NC = 1.209
+ RB = 1.492
+ IRB = 0
+ RBM = 0.3202
+ RE = 0.3429
+ RC = 0.8
+ CJE = 3.026E-12
+ VJE = 0.9
+ MJE = 0.2861
+ CJC = 1.041E-12
+ VJC = 0.6964
+ MJC = 0.308
+ CJS = 1.844E-12
+ VJS = 0.4237
+ MJS = 0.2606
+ XCJC = 0.5
+ TR = 1.5E-10
+ TF = 5.05E-12
+ XTF = 74
+ VTF = 0.8
+ ITF = 6.5
+ PTF = 0
+ FC = 0.875
+ EG = 1.11
+ XTI = 4.3
+ XTB = 0.5
.ENDS

2.4 GHz power amplifier with the BFG425W and the BFG21W

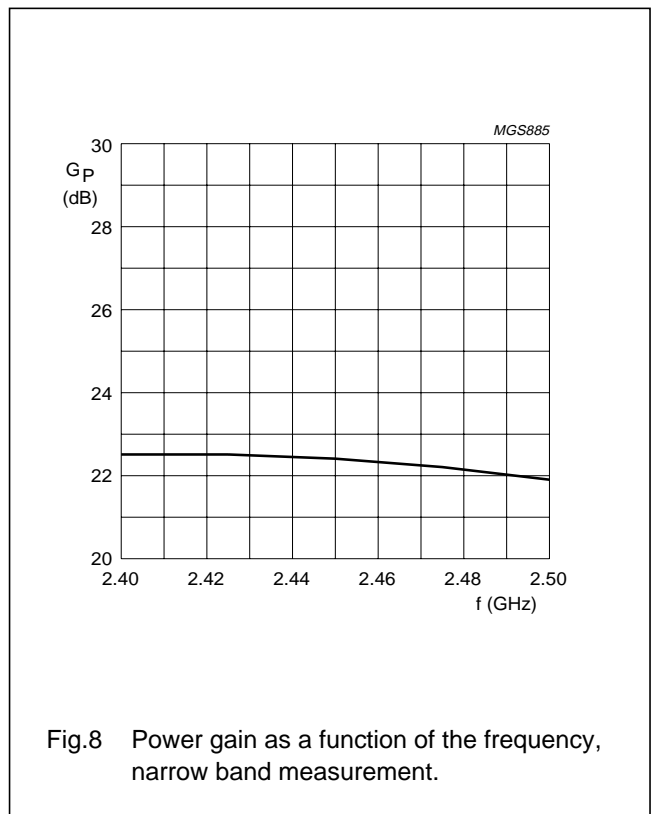
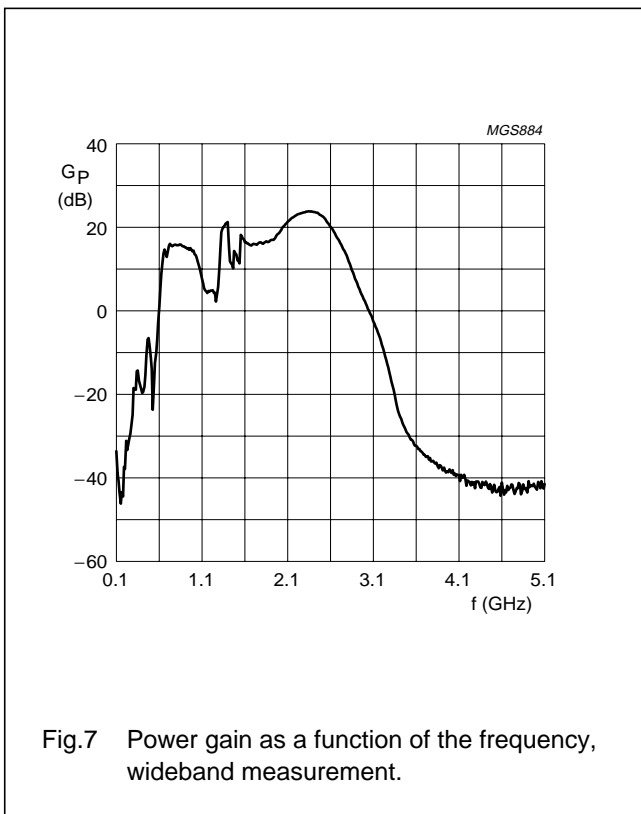
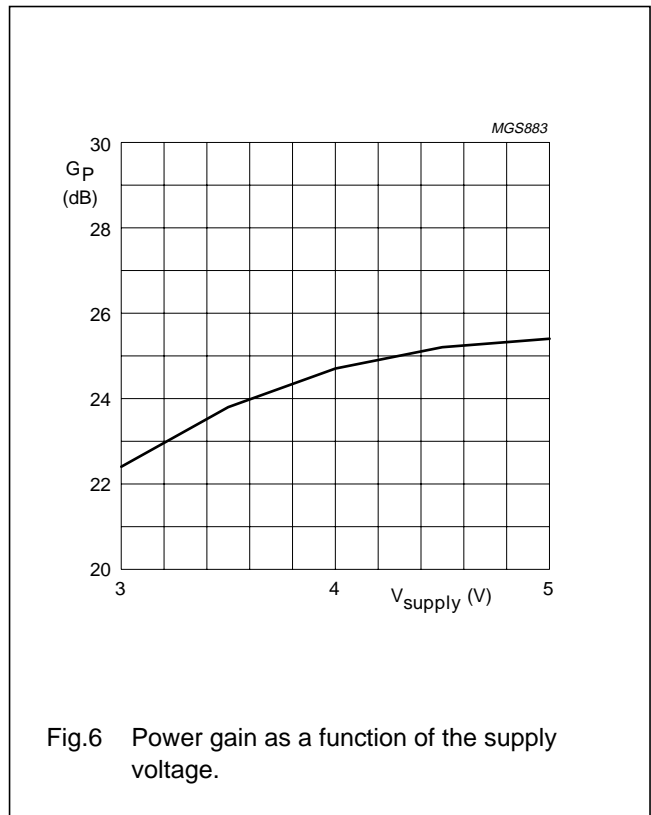
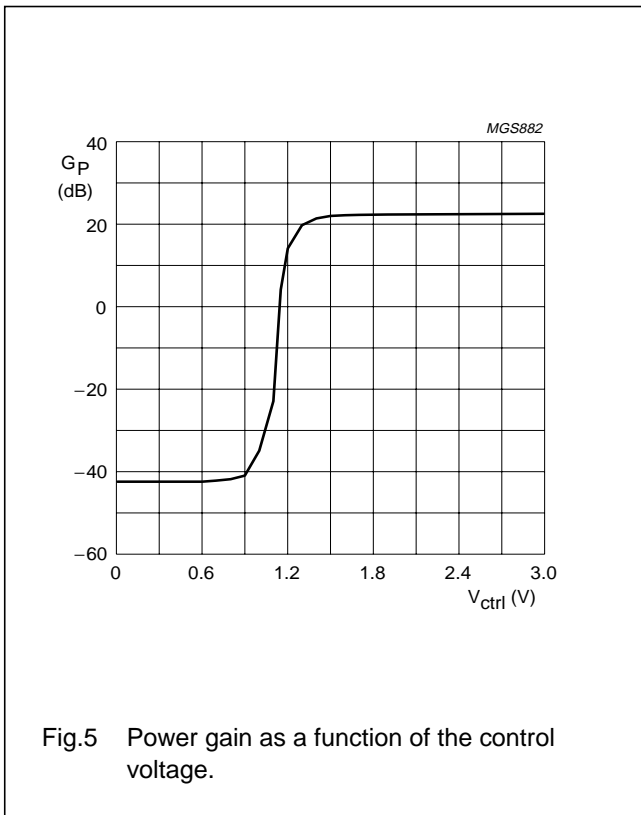
MEASUREMENTS

The result of the measurements is given in the Figs 3 to 8. The following initial conditions apply for all measurements (unless otherwise specified):

- $V_{\text{supply}} = 3.0 \text{ V}$
- $V_{\text{ctrl}} = 3.0 \text{ V}$
- $f = 2.45 \text{ GHz}$
- $P_i = 0 \text{ dBm}$.



2.4 GHz power amplifier with the BFG425W and the BFG21W



2.4 GHz power amplifier with the BFG425W and the BFG21W

NOTES

Philips Semiconductors – a worldwide company

Argentina: see South America

Australia: 3 Figtree Drive, HOMEBUSH, NSW 2140,
Tel. +61 2 9704 8141, Fax. +61 2 9704 8139

Austria: Computerstr. 6, A-1101 WIEN, P.O. Box 213,
Tel. +43 1 60 101 1248, Fax. +43 1 60 101 1210

Belarus: Hotel Minsk Business Center, Bld. 3, r. 1211, Volodarski Str. 6,
220050 MINSK, Tel. +375 172 20 0733, Fax. +375 172 20 0773

Belgium: see The Netherlands

Brazil: see South America

Bulgaria: Philips Bulgaria Ltd., Energoproject, 15th floor,
51 James Bourchier Blvd., 1407 SOFIA,
Tel. +359 2 68 9211, Fax. +359 2 68 9102

Canada: PHILIPS SEMICONDUCTORS/COMPONENTS,
Tel. +1 800 234 7381, Fax. +1 800 943 0087

China/Hong Kong: 501 Hong Kong Industrial Technology Centre,
72 Tat Chee Avenue, Kowloon Tong, HONG KONG,
Tel. +852 2319 7888, Fax. +852 2319 7700

Colombia: see South America

Czech Republic: see Austria

Denmark: Sydhavnsgade 23, 1780 COPENHAGEN V,
Tel. +45 33 29 3333, Fax. +45 33 29 3905

Finland: Sinikalliontie 3, FIN-02630 ESPOO,
Tel. +358 9 615 800, Fax. +358 9 6158 0920

France: 51 Rue Carnot, BP317, 92156 SURESNES Cedex,
Tel. +33 1 4099 6161, Fax. +33 1 4099 6427

Germany: Hammerbrookstraße 69, D-20097 HAMBURG,
Tel. +49 40 2353 60, Fax. +49 40 2353 6300

Hungary: see Austria

India: Philips INDIA Ltd, Band Box Building, 2nd floor,
254-D, Dr. Annie Besant Road, Worli, MUMBAI 400 025,
Tel. +91 22 493 8541, Fax. +91 22 493 0966

Indonesia: PT Philips Development Corporation, Semiconductors Division,
Gedung Philips, Jl. Buncit Raya Kav.99-100, JAKARTA 12510,
Tel. +62 21 794 0040 ext. 2501, Fax. +62 21 794 0080

Ireland: Newstead, Clonskeagh, DUBLIN 14,
Tel. +353 1 7640 000, Fax. +353 1 7640 200

Israel: RAPAC Electronics, 7 Kehilat Saloniki St, PO Box 18053,
TEL AVIV 61180, Tel. +972 3 645 0444, Fax. +972 3 649 1007

Italy: PHILIPS SEMICONDUCTORS, Via Casati, 23 - 20052 MONZA (MI),
Tel. +39 039 203 6838, Fax +39 039 203 6800

Japan: Philips Bldg 13-37, Kohnan 2-chome, Minato-ku,
TOKYO 108-8507, Tel. +81 3 3740 5130, Fax. +81 3 3740 5057

Korea: Philips House, 260-199 Itaewon-dong, Yongsan-ku, SEOUL,
Tel. +82 2 709 1412, Fax. +82 2 709 1415

Malaysia: No. 76 Jalan Universiti, 46200 PETALING JAYA, SELANGOR,
Tel. +60 3 750 5214, Fax. +60 3 757 4880

Mexico: 5900 Gateway East, Suite 200, EL PASO, TEXAS 79905,
Tel. +9-5 800 234 7381, Fax +9-5 800 943 0087

Middle East: see Italy

Netherlands: Postbus 90050, 5600 PB EINDHOVEN, Bldg. VB,
Tel. +31 40 27 82785, Fax. +31 40 27 88399

New Zealand: 2 Wagener Place, C.P.O. Box 1041, AUCKLAND,
Tel. +64 9 849 4160, Fax. +64 9 849 7811

Norway: Box 1, Manglerud 0612, OSLO,
Tel. +47 22 74 8000, Fax. +47 22 74 8341

Pakistan: see Singapore

Philippines: Philips Semiconductors Philippines Inc.,
106 Valero St. Salcedo Village, P.O. Box 2108 MCC, MAKATI,
Metro MANILA, Tel. +63 2 816 6380, Fax. +63 2 817 3474

Poland: Al.Jerozolimskie 195 B, 02-222 WARSAW,
Tel. +48 22 5710 000, Fax. +48 22 5710 001

Portugal: see Spain

Romania: see Italy

Russia: Philips Russia, Ul. Usatcheva 35A, 119048 MOSCOW,
Tel. +7 095 755 6918, Fax. +7 095 755 6919

Singapore: Lorong 1, Toa Payoh, SINGAPORE 319762,
Tel. +65 350 2538, Fax. +65 251 6500

Slovakia: see Austria

Slovenia: see Italy

South Africa: S.A. PHILIPS Pty Ltd., 195-215 Main Road Martindale,
2092 JOHANNESBURG, P.O. Box 58088 Newville 2114,
Tel. +27 11 471 5401, Fax. +27 11 471 5398

South America: Al. Vicente Pinzon, 173, 6th floor,
04547-130 SÃO PAULO, SP, Brazil,
Tel. +55 11 821 2333, Fax. +55 11 821 2382

Spain: Balmes 22, 08007 BARCELONA,
Tel. +34 93 301 6312, Fax. +34 93 301 4107

Sweden: Kottbygatan 7, Akalla, S-16485 STOCKHOLM,
Tel. +46 8 5985 2000, Fax. +46 8 5985 2745

Switzerland: Allmendstrasse 140, CH-8027 ZÜRICH,
Tel. +41 1 488 2741 Fax. +41 1 488 3263

Taiwan: Philips Semiconductors, 6F, No. 96, Chien Kuo N. Rd., Sec. 1,
TAIPEI, Taiwan Tel. +886 2 2134 2886, Fax. +886 2 2134 2874

Thailand: PHILIPS ELECTRONICS (THAILAND) Ltd.,
209/2 Sanpavuth-Bangna Road Prakanong, BANGKOK 10260,
Tel. +66 2 745 4090, Fax. +66 2 398 0793

Turkey: Yukari Dudullu, Org. San. Blg., 2.Cad. Nr. 28 81260 Umraniye,
ISTANBUL, Tel. +90 216 522 1500, Fax. +90 216 522 1813

Ukraine: PHILIPS UKRAINE, 4 Patrice Lumumba str., Building B, Floor 7,
252042 KIEV, Tel. +380 44 264 2776, Fax. +380 44 268 0461

United Kingdom: Philips Semiconductors Ltd., 276 Bath Road, Hayes,
MIDDLESEX UB3 5BX, Tel. +44 208 730 5000, Fax. +44 208 754 8421

United States: 811 East Arques Avenue, SUNNYVALE, CA 94088-3409,
Tel. +1 800 234 7381, Fax. +1 800 943 0087

Uruguay: see South America

Vietnam: see Singapore

Yugoslavia: PHILIPS, Trg N. Pasica 5/v, 11000 BEOGRAD,
Tel. +381 11 3341 299, Fax.+381 11 3342 553

For all other countries apply to: Philips Semiconductors,
International Marketing & Sales Communications, Building BE-p, P.O. Box 218,
5600 MD EINDHOVEN, The Netherlands, Fax. +31 40 27 24825

Internet: <http://www.semiconductors.philips.com>

© Philips Electronics N.V. 2000

SCA 69

All rights are reserved. Reproduction in whole or in part is prohibited without the prior written consent of the copyright owner.

The information presented in this document does not form part of any quotation or contract, is believed to be accurate and reliable and may be changed without notice. No liability will be accepted by the publisher for any consequence of its use. Publication thereof does not convey nor imply any license under patent- or other industrial or intellectual property rights.

Printed in The Netherlands

603508/01/pp12

Date of release: 2000 Feb 02

Let's make things better.

Philips
Semiconductors



PHILIPS